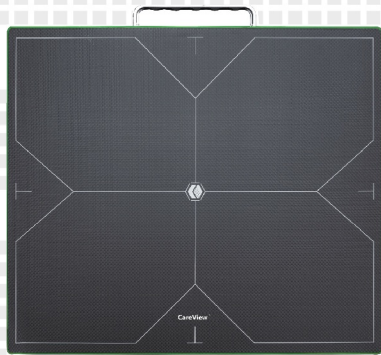


# CareView<sup>®</sup> 1500Cw



## 14"x17" Cassette-sized Wireless Detector

### Friendly Operation Experience

- 14"x17" cassette-sized wireless detector; easily fits into standard bucky tray cabinets for upgrading a film or CR system to a flat-panel DR system.
- No wiring to generator with patented Full-Field Automatic Exposure Detection (F<sup>2</sup>AED™) Technology.
- Wireless acquisition and transfer of a full resolution radiography image in ~4 sec with 802.11n interface and dual-bands (2.4/5GHz) at 300Mbps data transmission rate.

### Superior Image Quality

- The best performance CsI direct-deposition technology on new generation of TFT/PIN PD panel and low noise electronics.

### "Care about you" Design Philosophy

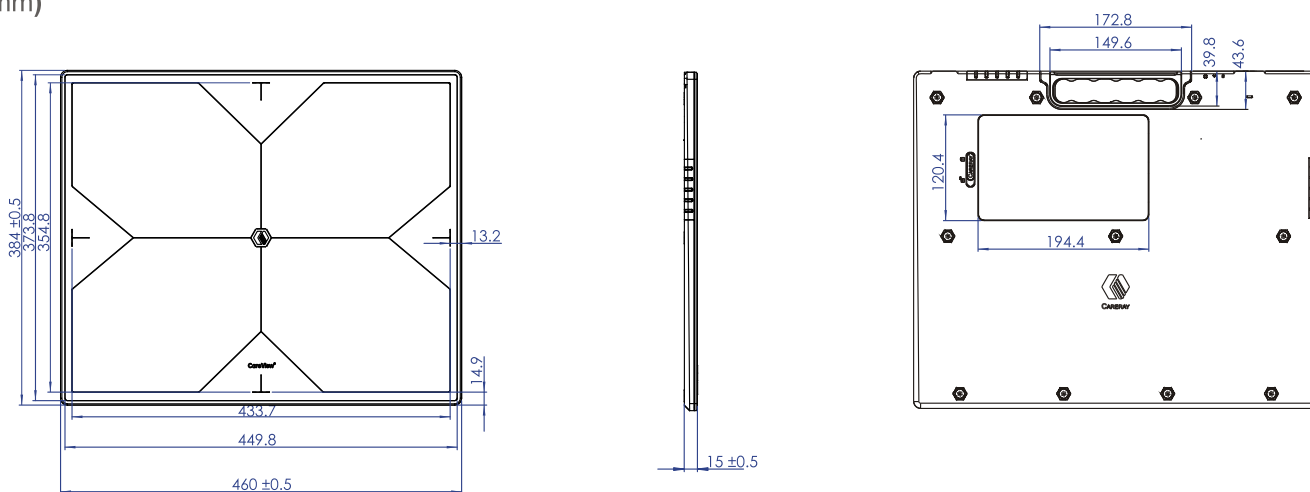
- Extra long battery life with 1400 shots/charge (10 sec interval between shots) and 7 hours stand-by time.
- Light weight and slim design with built-in foldable handle; rubber insulated frame and high strength aluminum-alloy case ensure safe and convenient operations.

# CareView<sup>®</sup> 1500Cw Specifications

Sensor	
Scintillator	Direct Deposit CsI:TI
Active Area	433.7 x 354.8 mm
Pixel Array	2816 x 2304
Pixel Pitch	154 μm
Image Quality	
Limiting Resolution	3.25lp/mm
MTF	70% .....(@ 1 lp/mm)
	40% .....(@ 2 lp/mm)
	22% .....(@ 3 lp/mm)
DQE	(@RQA5, 27 μGy)
	~ 65% ..... (@ 0 lp/mm)
	~ 20% ..... (@ 3 lp/mm)
Sensitivity	~ 0.62 ct/nGy
Response Non-linearity	< ± 0.5%
Maximum Linear Dose	95 μGy
Dark Noise	~ 8 nGy
Dynamic Range	~ 82 dB
A/D Conversion	16 bits
Communication Interface	
Communication Interface	Gigabit Ethernet 2.4/5 GHz, 300 Mbps
Image Acquisition Time	2-3 sec (wired)
	4-5 sec (wireless)
Exposure Control	F <sup>2</sup> AED
	Manual sync

Environmental		
Operating	Temperature Range	5 °C - 35°C
	Humidity Range (Non-condensing)	30% - 75% RH
Storage	Temperature Range	-20 °C - 55 °C
	Humidity Range (Non-condensing)	10% - 90% RH
Mechanical		
Dimension	460 x 384 x 15 mm	
Weight	3.7 kg	
Housing Material	Carbon fiber front High Strength aluminium alloy back	
Power		
Maximum Power (standby/operating)	< 8 W / 20 W	
Power Supply	100-250V AC	
Frequency	50/60 Hz	
Regulatory		
FDA	K150929	
CE	HD 60107735 0001	
UL	E464810	
HC	96952	

## CareView<sup>®</sup> 1500Cw Dimension (mm)



Specifications are subject to change without prior notice.

For more information, please visit [www.careray.com](http://www.careray.com) or contact us via [info@careray.com](mailto:info@careray.com) or [globalsales@careray.com](mailto:globalsales@careray.com).

All rights reserved. Copyright@careray Inc 2016.

### CareRay U.S.A

#3 - 3001 Winchester Blvd.  
Campbell, California USA 95008  
Tel: +1 604-343-3656

