

SPECIFICATIONS

Basic Specifications

Flow Rate	0.1 - 10.0 mL/sec (Increment of 0.1)
Volume	1mL - Syringe Size (Increment of 1)
Pressure Limit	10 - 300psi (100 - 2058kPa, 1.0 - 21.0kg/cm ²)
Interphase Delay	0 (OFF) - 480sec (Increment of 1)
Ramp-Up Time	OFF: 0sec, ON: 2sec
Injection Mode	Body Weight Mode, Flow Rate Mode
Forward Jog Speed	0.5mL/sec (Low), 1.5mL/sec (Medium), 8.0mL/sec (High)
Reverse Jog Speed	0.5mL/sec (Low), 4.0mL/sec (Medium), 8.0mL/sec (High)
Protocol Memory	Maximum Protocols 420 (84 x 5 Users)
User Memories	Maximum 5
Injection Result Record	Maximum 100

Safety functions

Over Flow Rate	<input type="checkbox"/>	Protocol Checking	<input type="checkbox"/>
Over Volume	<input type="checkbox"/>	Switch Error Warning	<input type="checkbox"/>
Over Pressure	<input type="checkbox"/>	Adapter Check Warning	<input type="checkbox"/>
Self checking function	<input type="checkbox"/>	Communication Error Warning	<input type="checkbox"/>

Electrical ratings

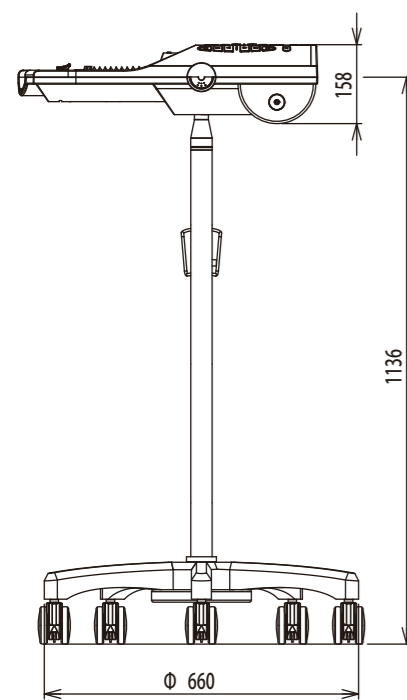
Electrical input/frequency	100-240VAC 50/60Hz
Power consumption	160VA Max
Protection Class	Class I
Protection Degree	Type CF

Approved Consumables

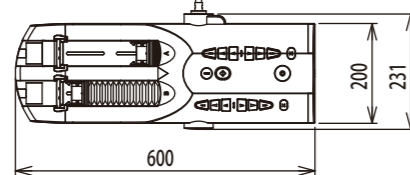
Product Description	Part No.
Dual 200mL Syringe/Y-set w1CV/Spike	C855-5408
Dual Syringe/Y-set w1CV/Spike	C855-5308
Dual Syringe/Y-set w1CV/J-Tube	C855-5304
Single Syringe/ 60" Coiled Line/Spike	C855-5206
Single Syringe/ 60" Coiled Line/J-Tube	C855-5202
200mL Syringe w/J-Tube	C855-5201
100mL Syringe w/J-Tube	C855-5101
200mL Syringe Only	SYPET-200
100mL Syringe Only	SYPET-100

SYSTEM CONFIGURATION

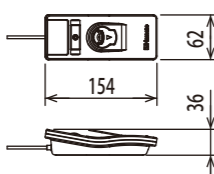
Remote Stand



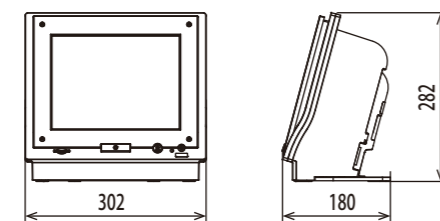
Powerhead



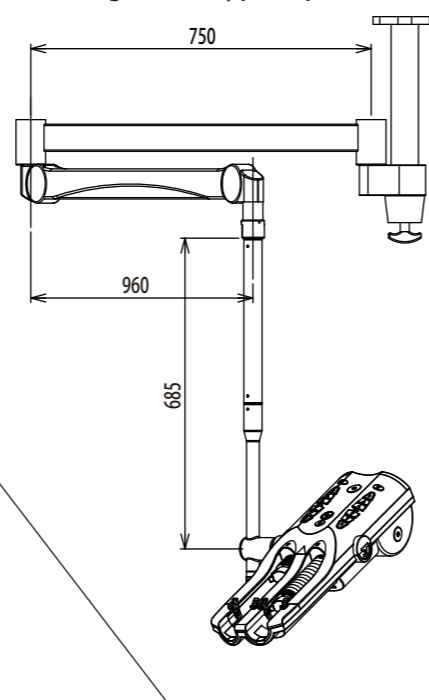
Switch Box



Console



Ceiling Mount type (Option)



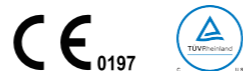
Dimensions and Weights

Powerhead	W600 x D231 x H158mm / 8.4kg
Console	W302 x D180 x H282mm / 6.5kg
Remote Stand	Φ660 x H1136mm / 11.0kg
Switch Box	W62 x D154 x H36mm / 264g

The specification of this pamphlet are as of January in 2016.
©Nemoto Kyorindo Co.,Ltd. 2012 - 2016 All rights reserved.
2016.01

Brand name / DUAL SHOT alpha7

- This product design and specifications may change without prior notice
- This product requires specific installation and maintenance procedures.



Nemoto Kyorindo Co., Ltd.

Manufacturer : 2-27-20 Hongo, Bunkyo-ku, Tokyo, 113 - 0033, Japan

DSA70001.02E

Nemoto
www.nemoto-do.co.jp



DUAL SHOT alpha7
CT Contrast Delivery Systems

Looking for the injector that makes effective contrast imaging easier?

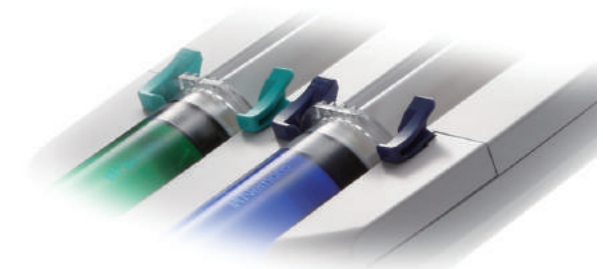
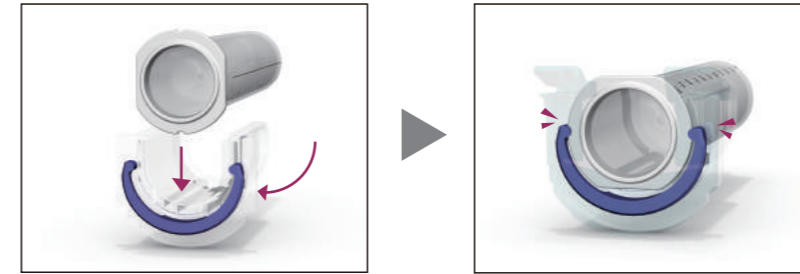
Answer

The DUALSHOT alpha7 includes a variety of built-in protocols, including our unique body weight protocol. Our injector takes into consideration imaging time, contrast concentration and other factors to customize a protocol to result in a constant TDC with excellent enhancement. Based on these factors the injector can calculate the protocol.



Power Head

Simplified syringe loading, with positive indication of correct placement



One Touch adapter with snap lock

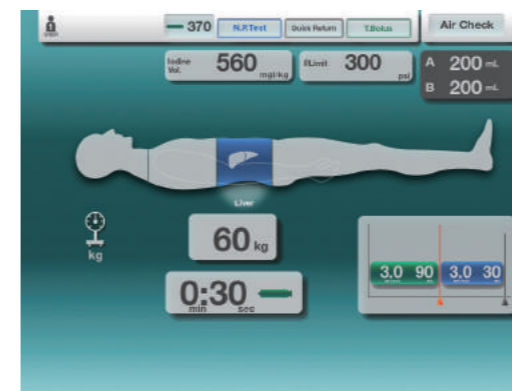
The alpha7's One Touch adapter has flexibility and strength. The One touch adapter makes syringe installation simple, plus gives audible snap sound when locked into place.

Console

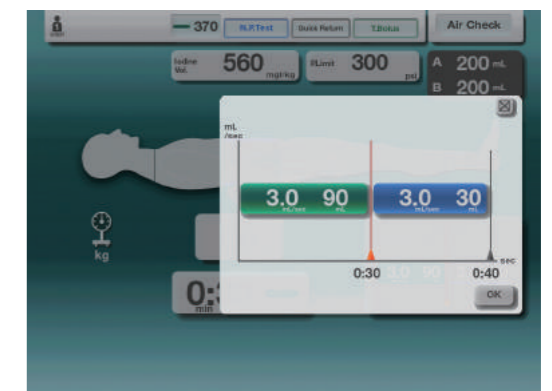
To make a high-resolution 3D image, high quality images are required

Our new simplified interface, QS4

Our new QS4 interface further simplifies the alpha family operation. Via the main screen protocols can be selected quickly, and the injector can be configured the way you prefer.



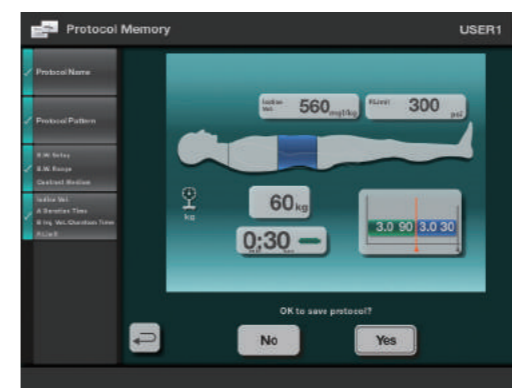
Input your date once, and from there the alpha7 will calculate the injection rate automatically. Just selecting an anatomic region, the alpha7 can calculate the contrast media volume required for your protocol.



Thumbnail style display – Quickly view injection time and volume and confirm protocol settings visually.

Possibilities

Customize the injector functions the way you prefer



We listen to our customers voice. With alpha7 easy configuration of protocols, on screen help and multi-user, up to 5, capability is possible.