

SPECIFICATIONS

Basic Specifications

| | |
|------------------|---|
| Flow Rate | 0.1 - 10.0 mL/sec (Increment of 0.1) |
| Volume | 0.1 - 60 mL (Increment of 0.1) |
| Maximum pressure | 150psi (1034kPa) |
| Scan Time | 0 (OFF) - 30 min (Increment of 1 min) |
| Memory | 400 memories (5 User) |
| Injection Mode | Body Weight Input Mode, Single Mode, Dual Mode, Drip mode |
| Pressure Limit | 10 - 200psi (100 - 1372kPa) |

Safety functions

| | | | |
|------------------------|-----------------------|-----------------------------|-----------------------|
| Over Flow Rate | <input type="radio"/> | Protocol Checking | <input type="radio"/> |
| Over Volume | <input type="radio"/> | Switch Error Warning | <input type="radio"/> |
| Over Pressure | <input type="radio"/> | Adapter Check Warning | <input type="radio"/> |
| Self checking function | <input type="radio"/> | Communication Error Warning | <input type="radio"/> |

Electrical ratings

| | |
|----------------------------|------------------------------------|
| Electrical input/frequency | AC100-240V 50/60Hz |
| Power consumption | 200VA (Main Unit) / 45VA (Console) |
| Protection Class | Class I |
| Protection Degree | Type CF |

Standard function

| |
|-------------------------------------|
| Automatic Syringe Plunger Detection |
| One-Touch Syringe Adapter |
| Scan Timing |
| Body Weight Input Mode |
| Drip Infusion Mode |
| Power Head Indication Lamps |

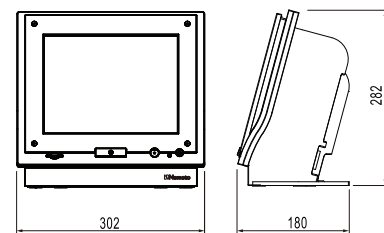
Acceptable Syringes

| Product Name | Size (Capacity) |
|-----------------------------------|-----------------------------------|
| Disposable Syringe | 50mL Syringe |
| OMNISCAN | 10/15/20mL Pre-Filled Syringe |
| Magnevist iv inj. Syringe | 10/15/20mL Pre-Filled Syringe |
| Gadovist IV inj, 1.0mol/L Syringe | 7.5/10/15/20mL Pre-Filled Syringe |
| Multihance | 10/15/20mL Pre-Filled Syringe |
| ProHance | 10/15/17mL Pre-Filled Syringe |
| DOTAREM | 10/15/20mL Pre-Filled Syringe |

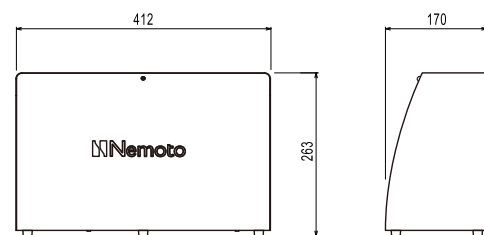
External View / Dimension / Weight

- ① Powerhead
- ② Remote Stand
- ③ Console
- ④ Power Supply Unit
- ⑤ Switch Box
- ⑥ Joint Box

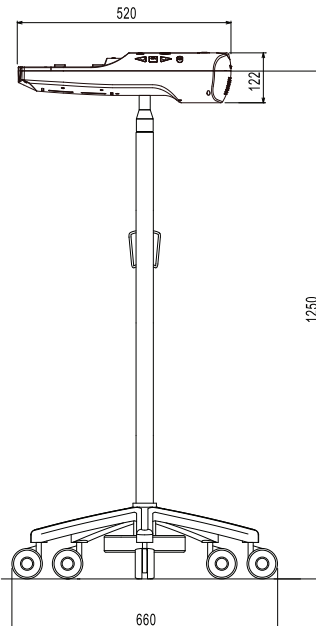
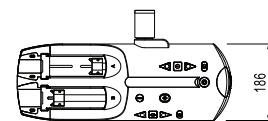
- ③ Console Weight : 6.0 kg



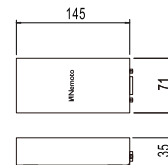
- ④ Power Supply Unit Weight : 6.4 kg



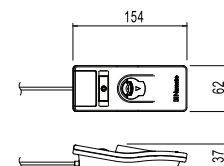
- ① Powerhead Weight : 7.5 kg



- ⑥ Joint Box Weight : 240 g



- ⑤ Switch Box Weight : 264 g



- ② Remote Stand Weight : 10.2 kg

Brand name / SONIC SHOT 7

- This product design and specifications may change without prior notice
- SONIC SHOT*7 is a Registered Trademark of Nemoto Kyorindo Co.,Ltd.
- This product requires specific installation and maintenance procedures.

The specification of this pamphlet are as of October in 2015.
©Nemoto Kyorindo Co.,Ltd. 2015 All rights reserved.
10/05/2015



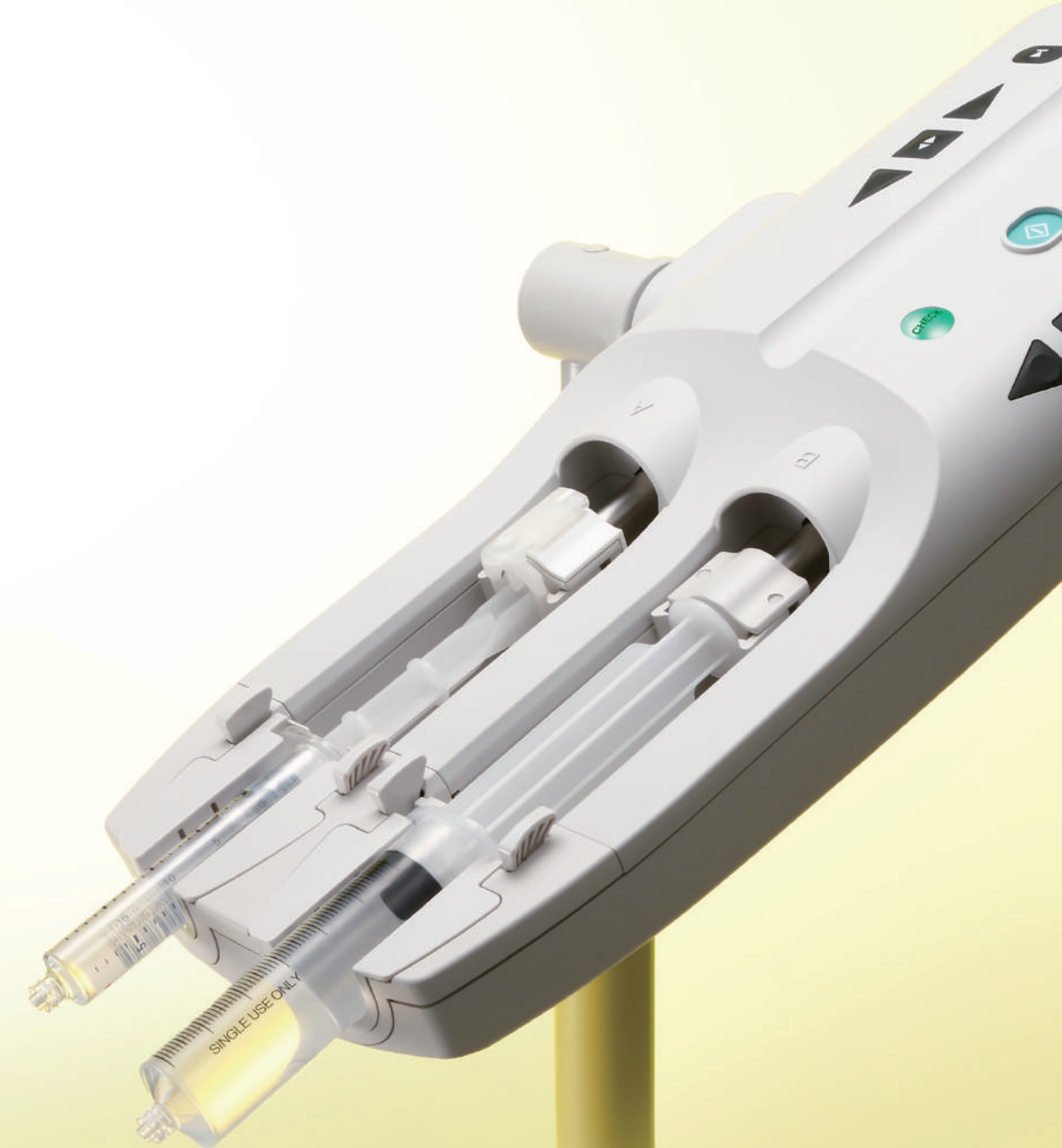
Nemoto Kyorindo Co., Ltd.

Manufacturer : 2-27-20 Hongo, Bunkyo-ku, Tokyo, 113 - 0033, Japan

SS70001.01E

Nemoto
www.nemoto-do.co.jp

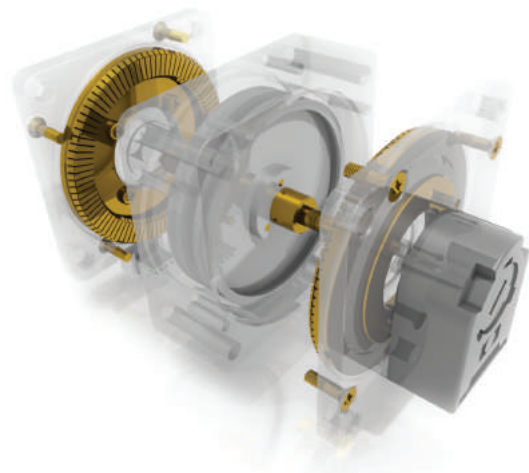
Nemoto



NEW SONIC SHOT[®] 7
MR Contrast Delivery Systems

SONIC SHOT 7 Sharpened Functionality

Each performance specification was honed to perfection, for safe and reliable contrast delivery.



Ultrasonic Motor

Completely non-magnetic design. Exclusive for MR, long-lifetime and trusting performance.



Powerhead Lamps

Quickly & Easily recognize injector operation.

Plunger Detection

Insert the syringe, and the injector will automatically detect the plunger position. No need to manipulate manually.



One-Touch Syringe Adapter

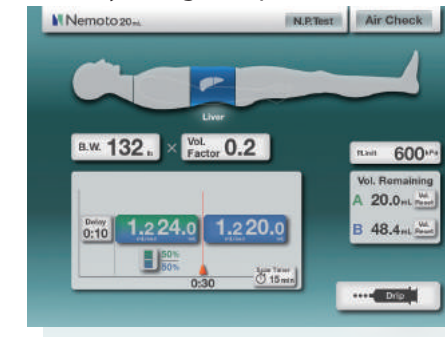
Exclusive adapters designed for pre-filled syringes. Easily inserted and removed with One-Touch design.



Operational Buttons

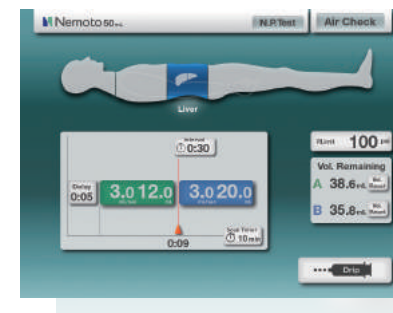
Powerhead buttons are designed for easy identification and ease of operation.

Body Weight Input Mode



Injector will automatically calculate the protocol based only on patient weight.

Flow Rate Mode



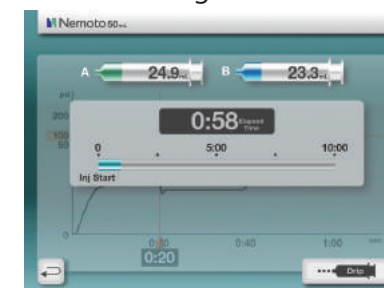
Manually set desired injection parameters.

Drip Infusion



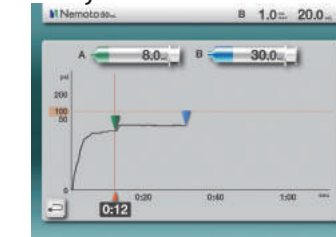
Simplified Drip Mode, easy access and easy to setup and use.

Scan Timing



Real-time information, Elapsed Time bargraph and audible sound indicate when to scan.

Injection



Real-time display of injection progress.

Powerhead

Completely non-magnetic structure, new features, and enhanced ease of use.

Console

Design for improved reliability and safety with Nemoto's advanced Body Weight Protocol.

